

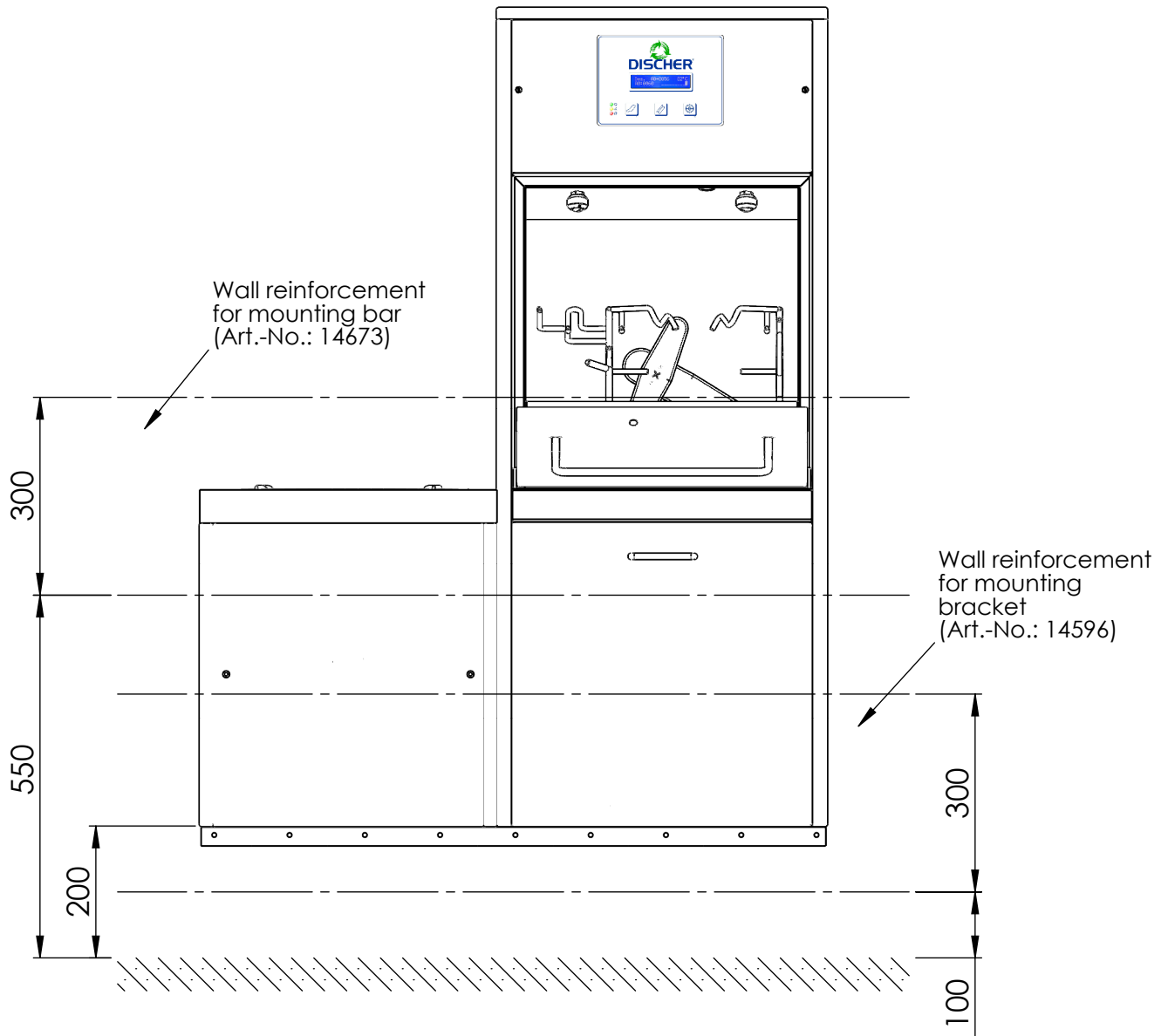
Presets & Options:

- Horizontal drains
- Sleeves wall-shortly
- Cold water, warm water, drain and electrical supply 230V or 400V must be presetted according to the regional directives
 - Microsection direction:
- Cupboards: side-walls, back-walls and doors vertical;
- Ground, cap, socket, shelves and light-bar horizontal;
- Work-plate: horizontal in position of installation;
- NAB: vertical front, horizontal socket
- Faceplate: vertical front ; horizontal socket

Including mounting bar (Art.-No.: 14673)
Including mounting bracket (Art.-No.: 14596)

- **ATTENTION:** Please, take note of the fire detector!

		Discher Technik GmbH Fuhr 4-6, 42781 Haan-Gruiten Tel.: +49 (0)2104/2336-0 Fax: +49 (0)2104/233699 E-mail: info@discher.de	Type of machine: Piccolo 950 DT-L-H	
Customer-No.:			Surface: Microsection - polished with 240 grain size - finished with 280 grain size	
Project-No.:	Status:			
Room:			Material: 1.4301	
Date: 06.12.2017	Drawn by.: Trawert			Scale: 1:20 Measurements in mm
File name:			 <p>Duplication or transfer to other parties, even in extracts, requires the written permission of the Discher Company GmbH. State of the art and subject to change without prior notice.</p>	



		Discher Technik GmbH Fuhr 4-6, 42781 Haan-Gruiten Tel.: +49 (0)2104/2336-0 Fax: +49 (0)2104/233699 E-mail: info@discher.de	Type of machine: Piccolo 950 DT-L-H - Wall reinforcement	
Customer-No.:			Surface: Microsection - polished with 240 grain size - finished with 280 grain size	
Project-No.:	Status:	 DISCHER		Material: 1.4301
Room:				Scale: 1:10
Date: 06.12.2017	Drawn by.: Trawert	<small>Duplication or transfer to other parties, even in extracts, requires the written permission of the Discher Company GmbH. State of the art and subject to change without prior notice.</small>		
File name:				