

Presets & Options:

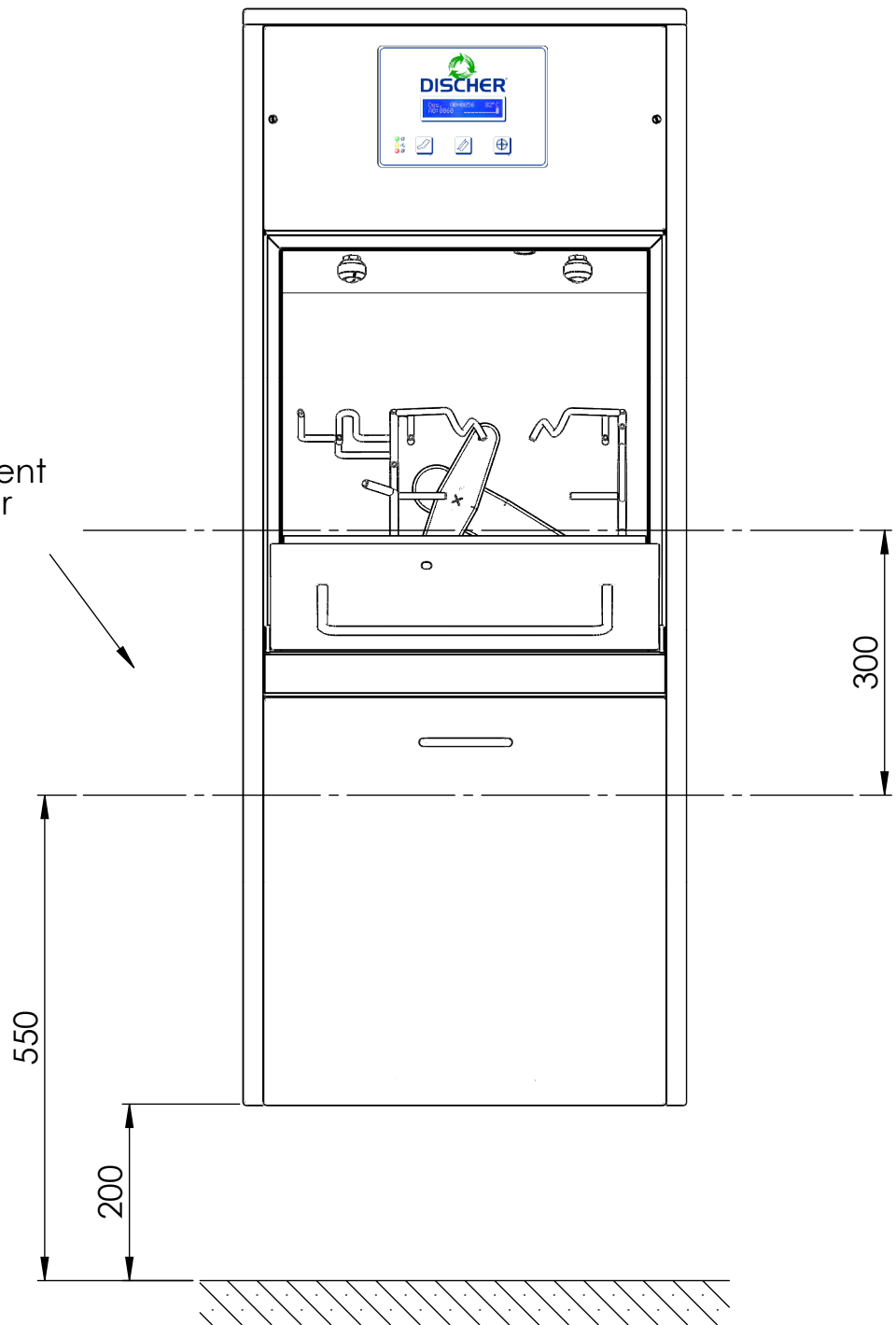
- Horizontal drain
 - Sleeve ground-shortly or wall-shortly
 - Cold water, warm water, drain and electrical supply 230V or 400V must be presetted according to the regional directives
 - Microsection direction:
- Cupboards: side-walls, back-walls and doors vertical;
Ground, cap, socket, shelves and light-bar: horizontal;
Work-plate: horizontal in position of installation;
NAB: vertical front, horizontal socket
Faceplate: vertical front ; horizontal socket

Including mounting bar (Art.-No.: 14673)

- **ATTENTION:** Please, take note of the fire detector!

		Discher Technik GmbH Fuhr 4-6, 42781 Haan-Gruiten Tel.: +49 (0)2104/2336-0 Fax: +49 (0)2104/233699 E-mail: info@discher.de	Type of machine: Piccolo 500 DT-H	
Customer-No.:			Surface: Microsection - polished with 240 grain size - finished with 280 grain size	
Project-No.:	Status:			Material: 1.4301
Room:				Scale: 1:20
Date: 06.12.2017	Drawn by.: Trawert			Measurements in mm
File name:				
Duplication or transfer to other parties, even in extracts, requires the written permission of the Discher Company GmbH. State of the art and subject to change without prior notice.				

Wall reinforcement
for mounting bar
(Art.-Nr.: 14673)



		Discher Technik GmbH Fuhr 4-6, 42781 Haan-Gruiten Tel.: +49 (0)2104/2336-0 Fax: +49 (0)2104/233699 E-mail: info@discher.de	Type of machine: Piccolo 500 DT-H - Wall reinforcement	
Customer-No.:			Surface: Microsection - polished with 240 grain size - finished with 280 grain size	
Project-No.:	Status:			Material: 1.4301
Room:				Scale: 1:8
Date: 06.12.2017	Drawn by.: Trawert	Duplication or transfer to other parties, even in extracts, requires the written permission of the Discher Company GmbH. State of the art and subject to change without prior notice.		
File name:				