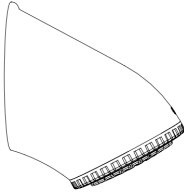


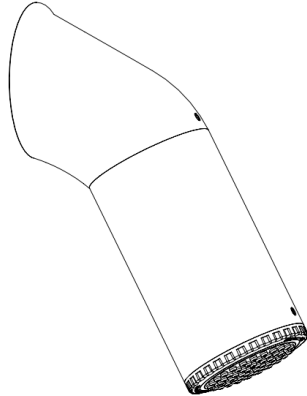
## VR-888 Vandal Resistant Wall Shower VR-888 FH Anti-Legionella Filter Housing for VR-888



VR-888



VR-888 FH



VR-888 FH ON VR-888 DURING LEGIONELLA OUTBREAK

**Safe Water Products Limited**

**Email: [cb@safewaterproducts.com](mailto:cb@safewaterproducts.com)**

**Homepage: [www.safewaterproducts.com](http://www.safewaterproducts.com)**

**Disclaimer: The information and data contained in this document are based on our general experience and are believed to be correct. They are given in good faith and are intended to provide a guideline for the selection and use of our products. Since the conditions under which our products may be used are beyond our control, this information does not imply any guarantee of final product performance and we cannot accept any liability with respect to the use of our products.**

**The quality of our products is guaranteed under our conditions of sales.**

## INDEX

	Page
INTRODUCTION	3
DESCRIPTION	3
SAFETY WARNING	3
PACK CONTENTS	3 & 4
SPECIFICATION	4 & 5
Important Points	
Normal Operation Conditions	
DIMENSIONS	5 & 6
INSTALLATION	6 -10
General	
VR-888	
VR-888 FH	
MAINTENANCE	10
General	
Maintenance	
SPARE PARTS	11
CUSTOMER CARE	12

## INTRODUCTION

The VR-888 Vandal Resistant shower fittings are suitable for single or multiple shower installations. The VR-888 FH can be used in conjunction with the VR-888 when there is a legionella outbreak.

## DESCRIPTION

The Vandal Resistant VR-888 shower fitting suits all pipe work configurations. The VR-888 FH is a cartridge with a Hollow Fibre Membrane Filter to protect people when there is a legionella outbreak.

A check-valve is inside the system to block the flow of water when maintenance is ongoing.

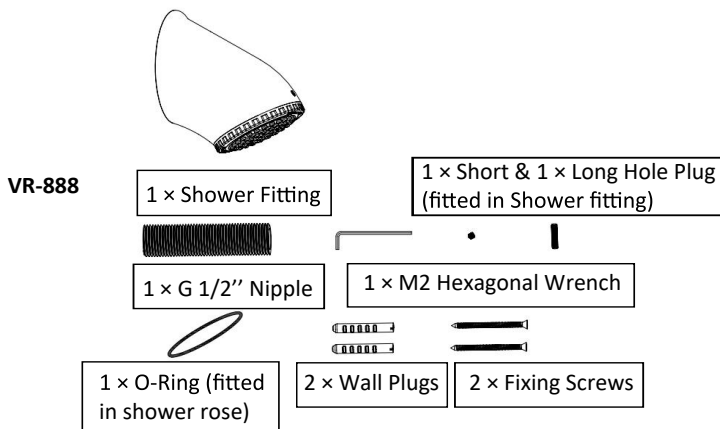
## SAFETY: WARNING

The VR-888 and the VR-888 FH are precision engineered and give continued superior and safe performance, provided:

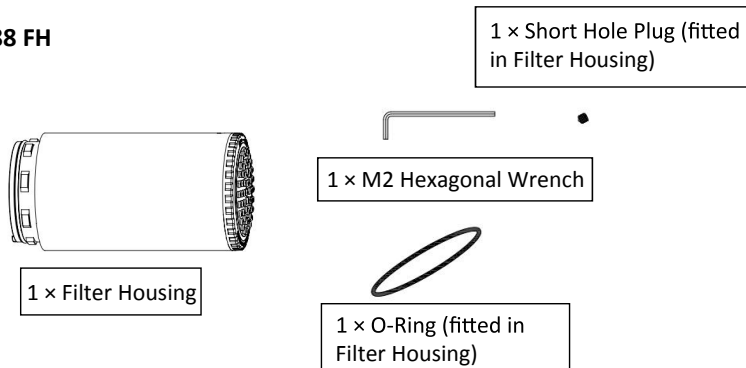
1. They are installed, commissioned, operated and maintained according to the recommendations given in this manual.
2. Periodic attention is given, as necessary, to maintain the product in good functional order. Recommended guidelines are given in the MAINTENANCE section.

## PACK CONTENTS

Examine the contents of the pack to familiarize yourself with the part names and to confirm that all parts are included.



## VR-888 FH



### SPECIFICATION

#### Important Points:

1. The installation, commissioning and maintenance of this product must be carried out in accordance with instructions given in this manual, and must be conducted by designated, qualified and competent personnel.
2. Installations must comply with ALL local/national water regulations/byelaws (Scotland), building and plumbing regulations.
3. VR-888 and VR-888FH are precision engineered and give continued superior and safe performance, provided:
  - they are installed, commissioned, operated and maintained in accordance with these recommendations.
  - periodic attention is given as necessary to maintain the product in good functional order.Recommended guidelines are given in the MAINTENANCE section.
4. **WARNING!** Continued use of this product in conditions outside the limits listed in this section can severely affect the performance and reduce the effective service life and can present potential risk to users.
5. **DISINFECTANTS:** In applications where system chemical disinfection is practiced, chlorine can be used (calculated chlorine concentration of 50 ppm maximum in water, per one-hour duration), at service interval frequency. Such procedures must be conducted strictly in accordance with the information supplied with the disinfectant and with all relevant guidelines/approved codes of practice. If in any doubt as to the suitability of chemical solutions, refer to SWP or your Local Agent.



**Normal Operating Conditions** are considered as:

--daily usage of up to 6 hours.

--installation and usage environment not subject to extremes of temperature, unauthorised tampering or willful abuse.

**Temperature Range:** Designed to accept water supplied between 5 °C - 65 °C

**Pressure Range:** Recommended minimum maintained pressure at the inlet of the fitting 0.1 bar. Maximum maintained pressure at the inlet of the fitting 5.0 bar (with flow regulator fitted).

**Spray Performance:** minimum flow rate necessary to achieve a fully formed spray pattern is 6.0L/min.

**Composition/Manufacture:** All materials are corrosion resistant.

**Spray Body:** Brass, polished chrome finish.

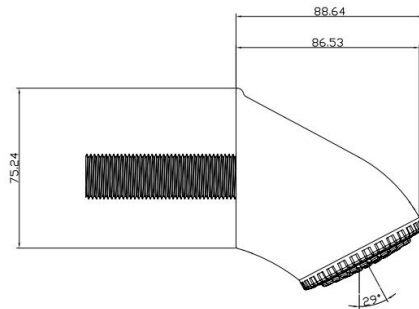
**Mounting Bush/Inlet Nipple:** Brass.

**Spray Cartridges:** Engineering plastic and TPE rubber.

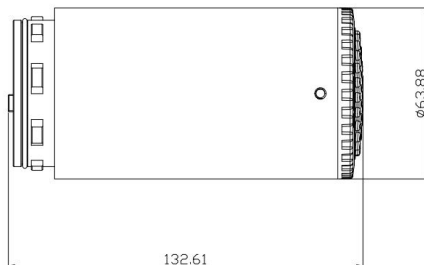
All screws in contact with water are made from stainless steel.

## DIMENSIONS

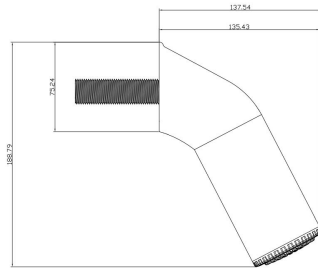
**VR-888**



**VR-888 FH**



## VR-888 FH ON VR-888 DURING LEGIONELLA OUTBREAK

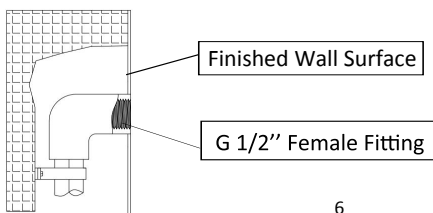


### INSTALLATION

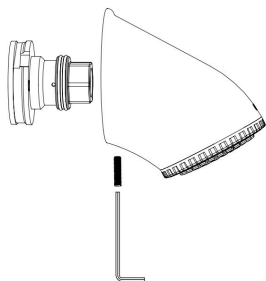
#### General

Installation must be carried out in accordance with these instructions, and must be conducted by designated, qualified and competent personnel.

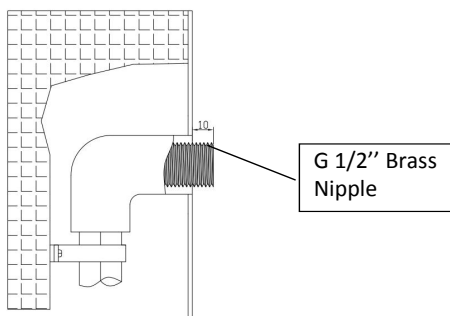
1. Supply pipes must be flushed to clear debris before connecting the shower fittings. Layout and sizing of pipework must be such that when other services are used, pressures do NOT fall below the recommended minimum at the shower head causing the spray pattern to collapse.
2. Avoid a position in which the product could become frozen.
3. Do NOT fit any form of flow control in the outlet pipework if the shower fitting is installed in conjunction with a product that requires the fitting to act as a vent (e.g. an electric shower).
4. Do NOT use excessive force when making connections.
5. Maintained pressures above 2 bar at the shower head, could result in excessive spray forces.
6. The unit has a mounting bush, which is secured to the wall with two screws (wall plugs, and screws provided, suitable for standard masonry). The spray body is retained on the mounting bush by a recessed hexagon-drive grub-screw (hexagonal wrench supplied).
7. The supply pipe from the shower control must terminate at the wall surface with a G 1/2" female thread. The end of the fitting must be flush with, or below the finished surface of the wall.



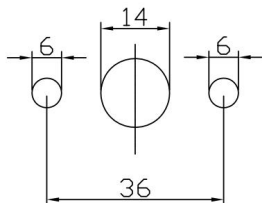
- Undo the grub screw on the spray body with the hexagonal wrench supplied and remove the mounting bush.



- Screw the brass nipple into the female fitting, until it projects 10 mm from the finished surface of the wall. If necessary, cut the brass nipple to the correct length and remove any burrs.

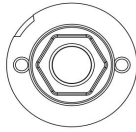


- Screw the mounting bush onto the brass nipple until the back of the mounting bush is flush with the wall.
- Mark the position of the two fixing holes.
- Remove both the mounting bush and the brass nipple.
- Drill the two fixing holes and fit the wall plugs supplied.



**Warning:** Before drilling make sure there is no pipework or cabling in the wall behind the marked hole positions.

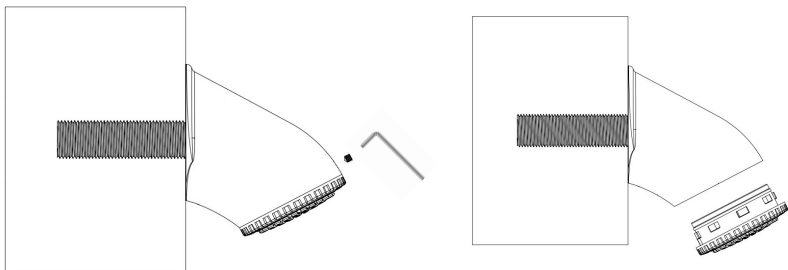
14. Apply liquid sealant or PTFE tape to the G 1/2" brass nipple. Do NOT use paste.
15. Screw the brass nipple back onto the female fitting.
16. Screw the mounting bush onto the brass nipple using an adjustable wrench (not supplied) and secure it with the fixing screws provided.



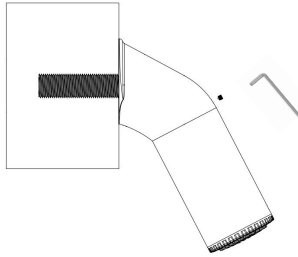
17. Check the "O"-rings are fitted to the mounting bush.
18. Fit the spray body to the mounting bush and secure with the grub screw.
19. If necessary, fit the hole plug.

### **How to attach the VR-888 FH onto the VR-888?**

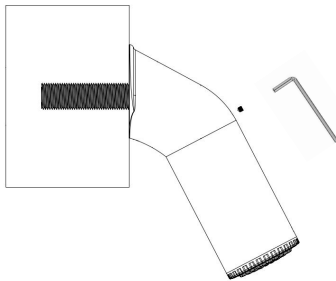
1. Remove the shower rose from the VR-888 by unscrewing the grub screw with the hexagonal wrench supplied with the VR-888 shower rose.



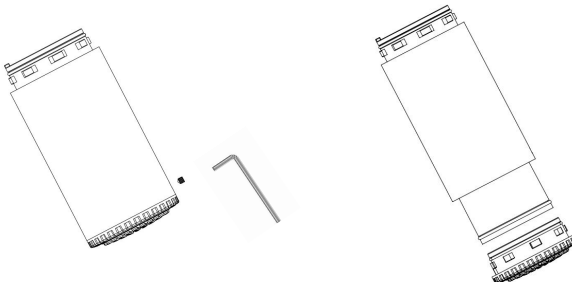
2. Fit the VR-888 FH onto the VR-888 main body by aligning the protruding metal flange with the gap in the main body of the VR-888 and twist clockwise until it is secure. Return the shower rose of the VR-888 FH by screwing on the grub screw with the hexagonal wrench supplied. Ensure to use only the new shower rose that accompanies the VR-888 FH.



### How to change the filter of the VR-888 FH?



1. Undo the grub screw with the hexagonal wrench supplied with the VR-888 and turn the VR-888 FH filter housing anti-clockwise until you hear a metal on metal sound. Remove the VR-888 FH filter housing from the VR-888. Remove the small grub screw from the top of the shower rose and turn the shower rose anti-clockwise. Push out the used filter.



2. Remove the SS-3 replacement filter from the packaging. Place the new SS-3 replacement filter into the VR-888 FH filter housing ensuring it is fully inside. Return the shower rose to the body of the filter housing by turning clockwise and screwing on the small grub screw with the hexagonal tool supplied. Place the VR-888 FH filter housing onto the VR-888 by aligning the two parts correctly and ensuring the larger grub screw is tightened using the hexagonal tool supplied. Dispose of the used filter using the new filter bag.

## MAINTENANCE

### General

VR-888 and VR-888 FH are precision engineered and give continued superior and safe performance, provided:

1. They are installed, commissioned, operated and maintained in accordance with our recommendations.
2. Periodic attention is given as necessary to maintain the product in good functional order.

### Maintenance

**Maintenance must be carried out in accordance with these instructions, and must be conducted by designated, qualified and competent personnel.**

External surfaces may be wiped clean with a soft cloth and, if necessary, a mild washing-up type detergent or soap solution can be used.

Warning! Many household and industrial cleaning products contain mild abrasives and chemical concentrates, and should not be used on polished, chromed or plastic surfaces.

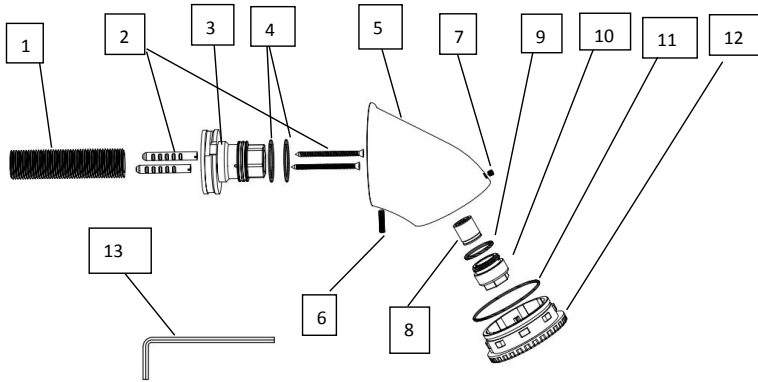
Use only silicone-based lubricants with this product.

The spray cartridges are removable for cleaning (for extra security, the fixed spray plate can only be removed using the hexagonal wrench provided), and will require periodic descaling, dependent upon the hardness of the water supplies.

**SPARE PARTS**

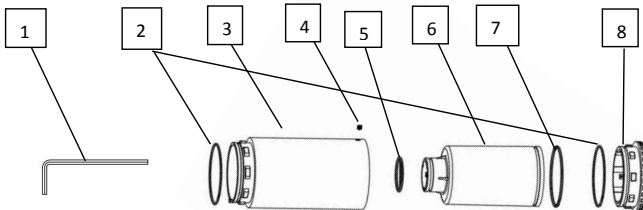
**VR-888**

1	104999000097 Brass Nipple	8	1050473860007 One-Way Valve
2	1040199000026 M3.5*50 Screws & Rawl Plugs	9	1030109000038 O-Ring
3	104999000101 Mounting Bush	10	104999000100 One-Way Valve Base
4	1030109000039 Mounting Bush O-Ring	11	1030109000040 Shower Rose O-Ring
5	104999000099 Spray Base	12	1050473880001 Shower Rose
6	1040199000024 Grub Screw (Long)	13	104999000098 M2 Hexagonal Wrench
7	1040199000025 Grub Screw (Short)		



**VR-888 FH**

1	104999000098 M2 Hexagonal Wrench	5	1030109000036 SS-3 Inlet O-Ring
2	1030109000040 Shower Rose O-Ring	6	30402SS300001 SS-3 Filter
3	104999000102 Filter Housing	7	1030109000037 SS-3 Outlet O-Ring
4	1040199000025 Grub Screw (Short)	8	1050473880001 Shower Rose



## CUSTOMER CARE

### **Guarantee**

This product is guaranteed against any defect of materials or workmanship for one year from the date of purchase, provided that the product has been installed correctly and used in accordance with the instructions supplied. The SS-3 filter is not included in the guarantee term. The lifespan depends on the quality of the local water supplied.

Any part found to be defective during the guarantee period will be replaced or repaired - at our discretion - without charge, provided that the product has been properly used and maintained. Routine cleaning and maintenance should be carried out in accordance with the instructions supplied. The product should not be modified or repaired except by a person authorized by SWP.

Your statutory rights are in no way affected by this guarantee.